

Outdoor PTZ dome IP camera



Outdoor H.264 PTZ Dome WDR IP Camera - 36x Zoom

The camera includes TDSi's Video Analytic solution as standard and removable IR cut filter and wide dynamic range.

outdoor PTZ dome IP camera

DS0099_Issue 1

SPECIFICATIONS

| | |
|----------------------------------|--|
| TDSi Part No. | 5012-0324 |
| Camera Module | |
| Image Sensor | 1/4" Sony Exview HAD CCD |
| Number of effective Pixel | NTSC - 768(H) x 494(V) 380 K PAL - 752(H) x 582(V) 440 K |
| Horizontal resolution | 530 TVL |
| Lens (Optical) Lens (Digital) | 36x Optical Zoom (F=1.6~F4.5, f=3.4 to 122.4 mm) 12x (432x with optical) |
| Day & Night (ICR) | Auto / Day / Night |
| Min. Shooting Distance | 0.32m (Wide) / 1.5m (Tele) |
| Digital Slow Shutter | ON / OFF |
| Minimum Illumination | 0.1 Lux (50 IRE): (Normal mode), 0.01 Lux (ICR On): (Night mode) |
| Luminance S/N ratio | More than 50dB |
| BLC | ON / OFF |
| WDR | Support |
| Flicker less (NTSC) | ON / OFF |
| PAN / TILT | |
| Pan Rotation Angle | 360 Quick Endless Rotation |
| Pan Speed (Manual) | 0.5° ~ 100 or 200° / sec (64 steps) |
| Pan Speed (Preset) | Max 300° / sec, Min 10° / sec |
| Tilt Rotation Angle | -2 ~ 90° |
| Tilt Speed (Manual) | 0.5 ~ 45° / sec (64 steps) |
| Tilt Speed (Preset) | Max 250° / sec, Min 200° / sec |
| System Accuracy | 0.024 |
| Dome | |
| Presets | 165 positions with 16 character labels available for each position with different speed steps |
| Guard Tour | Max 8 Groups (Each one consisting of up to 60 steps) |
| Auto Pan | Programmable Auto Scan |
| Pattern | 8 Programmable Patterns (Total 480 seconds) |
| Sector | 9 Selectable Sectors with 16 characters |
| Privacy Zone | 24 |
| Auto Flip | On / OFF |
| OSD menu | Yes |
| Video | |
| Compression Format | H.264, MPEG-4, MJPEG |
| Number of Streams | Dual Stream, Configurable |
| Resolution | D1, CIF, QCIF |
| Compression FPS | 25/30 fps@D1 |
| Deinterlacing | Support (DSP) |
| Motion Detection | Support (DSP) |
| Burnt-in Text (Digital) | Support (DSP) |
| Output | 1 Loop Out (BNC Connector) |

| | |
|--|---|
| TDSi Part No. | 5012-0324 |
| Audio | |
| Input | 1 channel |
| Output | 1 channel |
| Compression Format | G.711 |
| Function | |
| Digital Input | 4 channel |
| Digital Output | 2 channel |
| RS-485 | Support |
| RS-232C | Not Available |
| Network | 10 / 100 Base-T |
| Protocol | TCP/IP, UDP/IP, HTTP, RTSP, RTP/UDP, RTP/TCP, SNMP, mDNS, UPnP, SMTP, SOCK, IGMP, DHCP, DDNS, SSL v2/v3, IEEE 802.1X, SSH |
| USB 2.0 | Not Available |
| SD Memory Card Slot | Support (microSD type) |
| Electrical | |
| Power Source | 18~32 VAC 60/50Hz 1.5A |
| Power over Ethernet | Not Available |
| Power Consumption (Approx) | 36W Max |
| Environmental | |
| Fan / Heater | Fan and heater |
| Operating Temperature | -40°C ~ 50°C (-40°F ~ 122°F) |
| Certification | FCC/CE, IP66 |
| Operating Humidity | Up to 85% RH (Non-condensing) |
| Mechanical | |
| Material | Aluminum , Anti-vandal bubble (Poly Carbonate) |
| Color | Cool gray |
| Dimension | Housing: 190(ø) x 307(H) mm |
| Weight (Approx) | 5.7 kg |
| Video Content Analysis (Included as Standard) | |
| High Performance | Advanced Tracking Algorithm, Low False Alarm Rate |
| Easy to Use | Intuitive Web Browser Interface |
| Detection Zones | Multi-segment Polygons and Lines |
| On-screen Display | Real-time Display of Tracking Data and Events |
| Video Content Analysis (Option) | |
| Detection Behavior | Direction, Stopping, Loitering, Entering, Exiting, Appear, and Disappear Filters |
| 3D Behavior | Perspective Corrected Size and Speed Filters |
| Statistics | Counting Functions and Other Statistics |
| Meta Data | Binary XML Format |
| Image Stabilization (Option) | |
| Electronic Stabilization | Removes Camera Sway |

FEATURES & BENEFITS

Built-in Video Content Analytics
Up to 432X Zoom (Optical 36X, Digital 12X) Selectable
H.264 25/30 FPS@D1, 2-way Audio
Video Compression: H.264, MPEG-4, MJPEG (Dual Stream)
Day & Night (IR Cut Filter), DSS
De-interlacing on DSP
Burnt-in Text, Video Motion Detection Support
Providing only SDK, not Complete Application Software
Stealth Spin (World Most Silent Speed Dome)
0.024 Dome System Accuracy with 1/8 micro Step

Controlling Pan/Tilt Speed While Zooming
Reliable Materials
Power Misconnection Protection Function on RS-485 Terminal

ORDERING INFORMATION

Part Number: 5012-0324

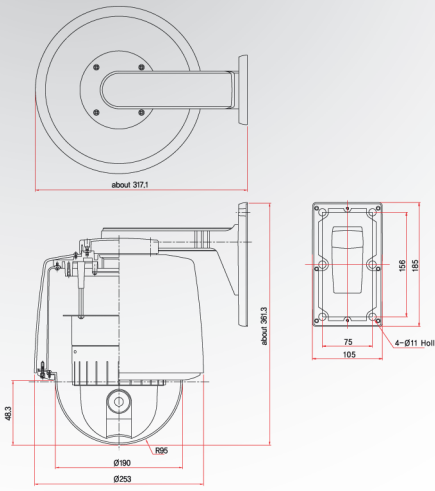


TDSi UK
 Unit 10 Concept Park,
 Innovation Close,
 Poole,
 Dorset BH12 4QT
 United Kingdom
 t: +44 (0)1202 723535
 f: +44 (0)1202 724975
 e: sales@tdsi.co.uk

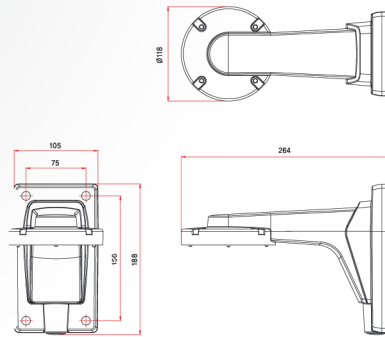
TDSi France
 Immeuble ATRIA,
 2 rue du Centre,
 93160 NOISY LE GRAND,
 France
 t: +33 (0)1 58 84 20 90
 f: +33 (0)1 58 84 20 91
 e: infos@tdsi-france.com

TDSi China
 Rm 103, 1 Bld,
 Shanghai Innovation Science
 & Technology Park,
 9283 Binhai Road,
 Futian District,
 Shenzhen 518048,
 P.R.China
 t: 86-755-82535725,
 82535720
 f: 86-755-82535770
 e: tdsiinfo@microgarde.com.cn

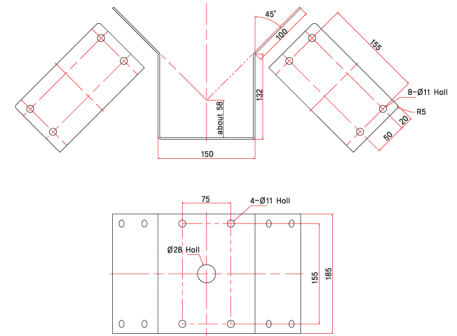
outdoor PTZ dome IP camera



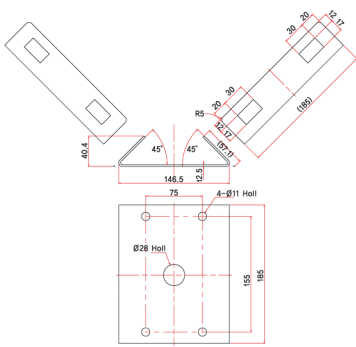
5012-0324



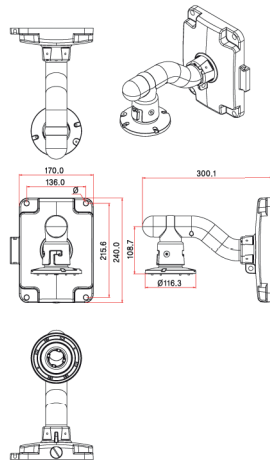
Wall Mount Bracket
5012-0413



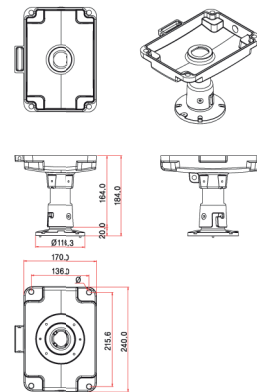
Corner Mount Adaptor
5012-0430



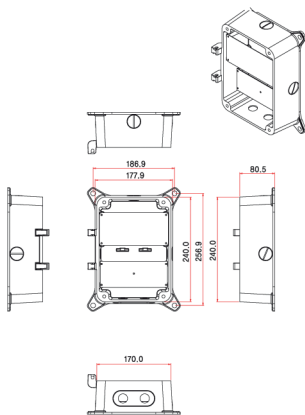
Pole Mount Adaptor
5012-0434



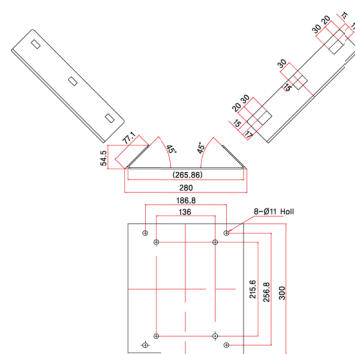
Wall Mount Bracket
5012-0414



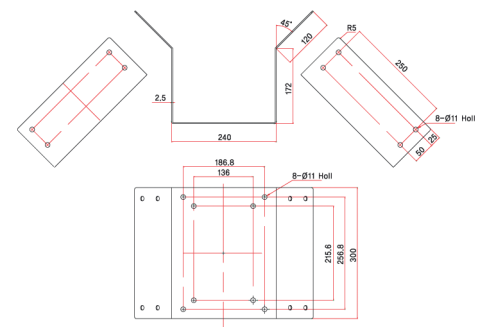
Ceiling Mount Bracket
5012-0424



Junction Box
5012-0460



Corner Mount Adaptor
5012-0433



Pole Mount Adaptor
5012-0434